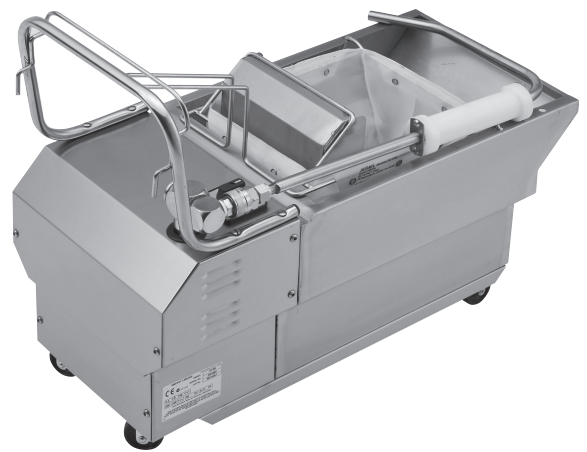


Technical data sheet for  
**VEE RAY FILTAMAX**

EF30, EF35, EF40

- Mobility and space saving features
- Powerful reversible 1/3 HP pump
- Full stainless steel construction
- Reusable filter bag
- Upgrade kit to carbon pad filtering
- Easy clean
- Easy service



EF35

**Overall Construction**

- Full stainless steel construction
- Mounted on two fixed and two swivel castors
- 1/3 HP motor, reversible, heavy duty pump
- Heavy duty motor switch
- Rigid return delivery tube for safe, efficient, return of oil and shortening to fryer tank
- Reusable 'easy clean' filter bags, with upgrade kit to carbon pad filtering available
- Heavy duty stainless steel handle
- Cord storage
- Heavy duty heat resistant handle fitted to oil delivery tube

**Controls**

- Off/Forward/Reverse pump control

**Cleaning and Servicing**

- Open stainless steel pan for easy clean
- Easy clean stainless steel exterior

# Technical data sheet for VEE RAY FILTAMAX

## Specifications

### Pump

1/3 HP single phase reversible pump

### Electrical requirements

220 - 240 V.a.c., 50/60 Hz, 1 P+N+E, 3.2A

110 - 120 V.a.c., 50/60 Hz, 1 P+N+E, 6.4A

### Electrical connection

62mm from RH side, 365mm from rear, and 440mm from floor

3 pin 13A plug cordset fitted

### Filtering capacity

EF30 20 litres

EF35 30 litres

EF40 32 litres

### Fryer compatibility

EF30 GT45/E

GT46/E

EF35 E43/E

E44/E

E40 GT60/E

GT60-HPO/E

### Under fryer storage

EF30 GT45/E

GT46/E

EF35 N/A

EF40 GT60/E

GT60-HPO/E

### Dimensions

#### EF30

Width 324mm

Depth 683mm

Height 562mm

#### EF35

Width 324mm

Depth 735mm

Height 562mm

#### EF40

Width 474mm

Depth 683mm

Height 562mm

### Packing data

#### EF30

0.28m<sup>3</sup>

52kgs

#### EF35

0.28m<sup>3</sup>

53kgs

#### EF40

0.28m<sup>3</sup>

56kgs

### Options at extra cost

Additional filter bags

Carbon pad upgrade kit (Part No. 025669)

Flexible hose with stay cool handle

(Part No. 020417)

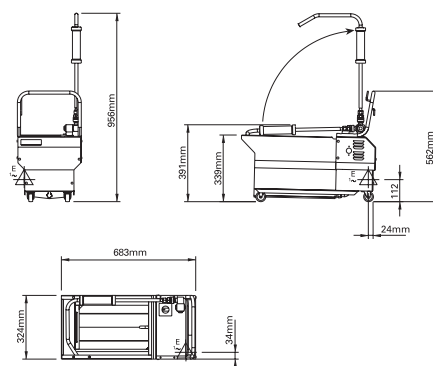
Drain adaptor kit (Part No. 024705) and drain

extension kit (Part No. 024710) available for using

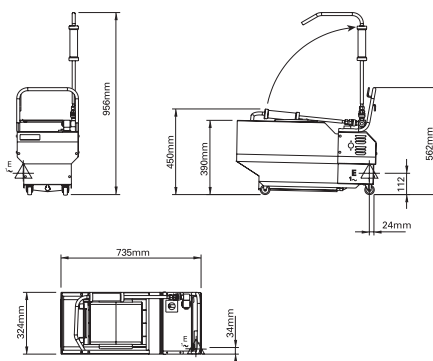
EF40 for combined 450mm + 600mm wide

Blue Seal fryer filtering applications.

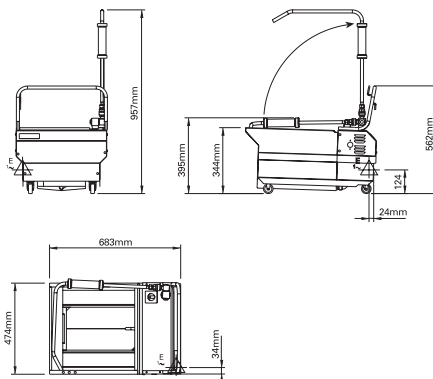
EF30



EF35



EF40



### Distributor:

**KiD Catering Equipment**  
**Oaktree Court Business Centre**  
**Mill Lane, Ness, Cheshire, CH64 8TP**  
**Tel: 0333 123 2450**  
**sales@kidcateringequipment.com**

**BLUE SEAL**

www.blue-seal.co.uk

www.bluesealevolution.com



**ISO9001**  
 Quality  
 Management  
 Standard

Designed and manufactured by

**MOFFAT**

ISO9001

All Blue Seal products are designed and manufactured by Moffat using the internationally recognised ISO9001 quality management system, covering design, manufacture and final inspection, ensuring consistent high quality at all times.



In line with policy to continually develop and improve its products, Moffat Limited reserves the right to change specifications and design without notice.