

BLUE SEAL SR SERIES®

GAS 6 BURNER RANGE STATIC OVEN G750-6



Standard Features

- 750mm depth
- Medium-duty
- Stainless steel finish
- Easy view controls
- Semi-sealed hob
- Hygienic 1-piece hob front
- 5.8 kW open burners
- Lift off brass burners with enamelled caps
- Lift off stainless steel spill tray
- Vitreous enamelled cast iron double potstands
- GN 2/1 gas static oven
- 7.9 kW oven burner
- 130-270°C thermostatic control
- Piezo ignition to oven burner
- Side hinged doors
- Vitreous enamelled oven liner
- Removable vitreous enamelled oven base tray
- 5 shelf position racking
- Removable chrome wire rack supports
- Supplied with 2 chrome wire oven racks
- Stainless steel adjustable legs standard

Options

- Available in Natural gas and Propane gas, please specify when ordering
- Gas type conversion kit
- Adjustable castor kit

BLUE SEAL SR SERIES®

GAS 6 BURNER RANGE STATIC OVEN G750-6

Specifications

Burner Ratings (gross)

Open burners 5.8 kW, 20,000 Btu/hr

Oven burner 7.9 kW, 27,000 Btu/hr

Total Ratings (gross)

42.7 kW, 147,000 Btu/hr

Gas Connection

3/4 (BSP) female

All units supplied with 3/4 BSP hex nipple

Nat gas units supplied with regulator

Supply Pressure

Natural gas 20mbar

Propane gas 37mbar

Operating Pressure

Natural gas 15mbar

Propane gas 37mbar

Gas Consumption

Natural gas 4.0m³/hr

Propane gas 3.0kg/hr

Installation Clearances

From combustible surfaces

Sides 150mm

Rear 100mm

Dimensions

Width 900mm

Depth 750mm

Height 890mm hob

Height 921mm overall

Oven Dimensions

Width 770mm

Depth 605mm

Height 420mm

Rack size 745mm x 540mm

Rack positions 5

Nett weight

110kg

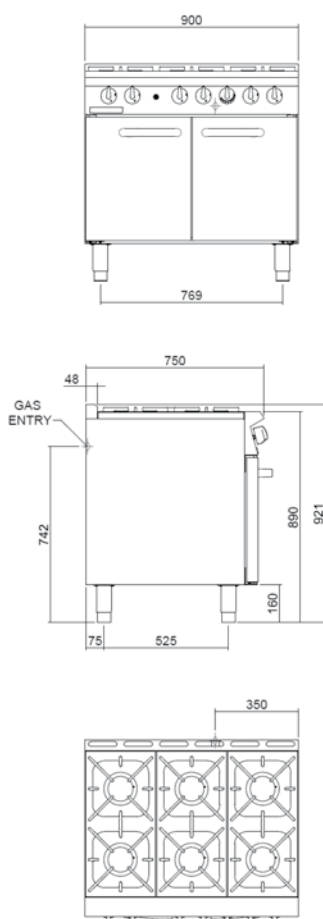
Packing data

0.70m³, 155kg

Width 935mm

Depth 865mm

Height 862mm



www.blue-seal.co.uk

United Kingdom
Blue Seal Limited

Unit 67
Gravelly Business Park
Gravelly
Birmingham B24 8TQ
England
Telephone 0121-327 5575
Facsimile 0121-327 9711
sales@blue-seal.co.uk
www.blue-seal.co.uk

Australia
Moffat Pty Limited

740 Springvale Road
Mulgrave, Victoria 3170
Australia
Telephone 03-9518 3888
Facsimile 03-9518 3833
vsales@moffat.com.au
www.moffat.com.au

New Zealand
Moffat Limited

45 Illinois Drive
PO Box 86010
Izone Business Hub
Rolleston 7675
New Zealand
Telephone 03-983 6600
Facsimile 03-983 6660
sales@moffat.co.nz
www.moffat.co.nz



ISO9001
Quality
Management
Standard

Designed and manufactured by



ISO9001

All Blue Seal products are designed and manufactured by Moffat using the internationally recognised ISO9001 quality management system, covering design, manufacture and final inspection, ensuring consistent high quality at all times.

In line with policy to continually develop and improve its products, Moffat Limited reserves the right to change specifications and design without notice.

