



CHIEFTAIN

G2522 Grill

Key features

- Three high-power gas burners
 - Copes with non-stop throughput in busy kitchens
- Twin heat control
 - Low and high settings for chamber heat
- Variable brander height
 - Flexible cooking control
- Supplied with aluminium brander, grid shelf and drip tray
 - All as standard do need to purchase as extras

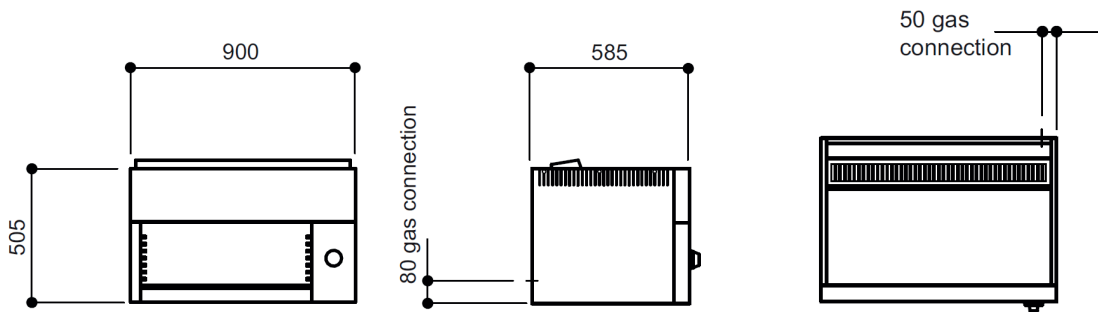
Accessories

- Floor stand
- Wall bracket
- Bench legs
- Brander (additional)
- Brander carrier (additional)

Similar Models

- G1528 heavy duty grill
- E2522 electric heavy duty grill

Measurements *in mm*



Specification *details*

Total rating (natural and propane - kW - Nett)	13.2
Total rating (natural and propane - btu/hr - gross)	49,500
Inlet size (natural and propane)	1/2" BSP
Flow rate - natural (m ³ /hr)	1.40
Flow rate - propane (kg/hr)	1.02
Inlet pressure (natural and propane - mbar)	15 / 37
Operating pressure (natural and propane - mbar)	20 / 37
Brander (w x d - mm)	660 x 410
Weight (kg)	74
Packed weight (kg)	87
Packed dimensions (w x d x h - mm)	1000 x 600 x 750
GTIN number - Nat Gas	
GTIN number - LPG	

Installation notes

Adequate ventilation, whether natural or mechanical, must be provided to supply sufficient fresh air for combustion and to allow easy removal of such products that may present risk to health. Recommendations for ventilation of appliances are given in BS5440:2 and HVCA specification DW/172. For multiple installations, requirements for individual appliances should be added together. Installation of any such system must be completed in accordance with local and/or national regulations that apply at time of commissioning.

Install level in a well-lit and draught-free position. All round clearance of 150mm is necessary from any combustible wall or object liable to damage from overheating. Minimum vertical clearance of 550mm in still air above flue top edge is necessary to ensure overlying surfaces do not overheat. Minimum clearance of 400mm from any adjacent wall at RH side is needed to allow removal of panel for service access. LH side will become very hot. Position to minimise risk of accidental touching. Unit can be also mounted upon non-combustible bench legs, floor stand or wall brackets, never directly upon a table top.

