



CHIEFTAIN

E1026X Three Hotplate Boiling Table

Key features

- Individually-controlled heavy duty cast iron hotplates
 - Flexible temperature control, large level cooking area
- Two removable drip trays
 - Deal with hob splashes quickly and hygienically
- All stainless steel exterior panel construction
 - Superior durability and easy to clean
- Open cabinet below hob
 - Large capacity storage area

Accessories

- Pot rack
- Factory fitted, adjustable castors

Similar Models

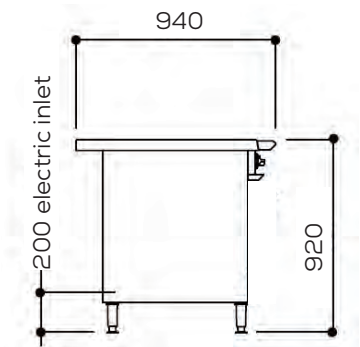
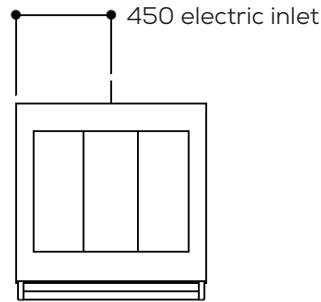
- E9084 four hotplate oven range
- E3121 3HP boiling top
- G1026BX gas solid top boiling table



CHIEFTAIN

E1026X

Three Hotplate Boiling Table



Measurements *in mm*

Unit on castors is same height

Specification *details*

Electrical rating (kW)	10.05	
Electrical supply voltage	400V 3N~	
Electrical current split (A)	L1: 14 L2: 14 L3: 14	
Hotplate rating (kW)	3.35 x 3	
Weight (kg)	150	
Packed weight (kg)	165	
Packed dimensions (w x d x h - mm)	1000 x 1000 x 1100	
GTIN numbers	On feet	On castors

Installation notes

Adequate ventilation must be provided to supply sufficient fresh air and to allow easy removal of any such products that may present a risk to health. Please consult current legislation for details that relate to specific locations.

Install unit on a level, fireproof surface in a well-lit position. If floor is made of a combustible material, local fire requirements must be checked to ensure compliance.

A clearance of 150mm should be observed between appliance and any combustible wall.



Falcon Foodservice Equipment, Wallace View, Hillfoots Road, Stirling FK9 5PY Scotland
t: +44 (0) 1786 455 200 e: info@falconfoodservice.com www.falconfoodservice.com

E1026X/SS/1120