



## Dominator

# G2078-45 Boiling Pan

### Key features

- Round boiling pan with a capacity of 45 litres
- Accurate temperature control
  - Move easily from simmer to boil
- Swivel tap fitted as standard
  - Easily fill / top up pan as and when required
- Large 1 1/4" draw-off
  - Quick and easy to empty
- One piece stainless steel pan
  - Easy to clean and keep clean
- Lift off lid supplied as standard
  - Increased safety as lid directs steam away from user
- Piezo ignition to burner
  - Simple and hassle free lighting

### Accessories

- Lift-out pan kit

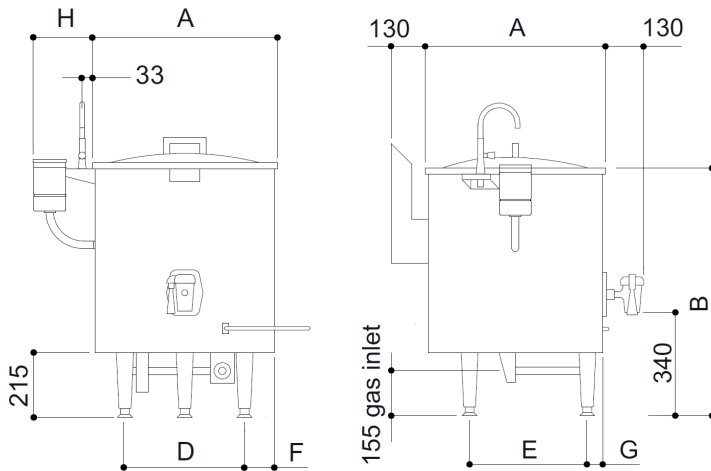
### Similar Models

- G2078-90 gas boiling pan (90 litres)
- G2078-135 gas boiling pan (135 litres)
- E2078-45 electric boiling pan (45 litres)



# DOMINATOR

# G2078-45 Boiling Pan



Measurements *in mm*

A	Ø610
B	840
C	Ø430
D	394
E	398
F	108
G	52
H	230

C = Inside pan diameter

## Specification details

Total rating (kW - net)	8.5	
Total rating (btu/hr - gross)	31,900	
Capacity (litres)	45	
Flow rate (natural - m <sup>3</sup> /hr)	0.90	
Flow rate (propane - m <sup>3</sup> /hr)	0.61	
Gas inlet (natural)	1/2" BSP	
Gas inlet (propane)	1/2" BSP	
Water inlet	1/2" BSP	
Inlet gas pressure (natural)	20 mbar	
Inlet gas pressure (propane)	37 mbar	
Burner pressure (natural)	15 mbar	
Burner pressure (propane)	36.5 mbar	
Weight (kg)	88	
Packed weight (kg)	93	
Packed dimensions (w x d x h - mm)	1100 x 800 x 1500	
GTIN number	Nat Gas	Propane
	5056466905156	5056466905163

## Installation notes

Adequate ventilation must be provided to supply sufficient fresh air and to allow easy removal of any such products that may present a risk to health. Please consult current legislation for details that relate to specific locations.

Install unit on a level, fireproof surface in a well-lit position. If floor is made of a combustible material, local fire requirements must be checked to ensure compliance.

A clearance of 150mm should be observed between appliance and any combustible wall.



Falcon Foodservice Equipment, Wallace View, Hillfoots Road, Stirling FK9 5PY Scotland  
t: +44 (0) 1786 455 200 e: info@falconfoodservice.com www.falconfoodservice.com

G2078-45/SS/0521