



Dominator

G2078-135 Boiling Pan

Key features

- Round boiling pan with a capacity of 135 litres
- Accurate temperature control
 - Move easily from simmer to boil
- Swivel tap fitted as standard
 - Easily fill / top up pan as and when required
- Large 1 1/4" draw-off
 - Quick and easy to empty
- One piece stainless steel pan
 - Easy to clean and keep clean
- Lift off lid supplied as standard
 - Increased safety as lid directs steam away from user
- Piezo ignition to burner
 - Simple and hassle free lighting

Accessories

- Lift-out pan kit

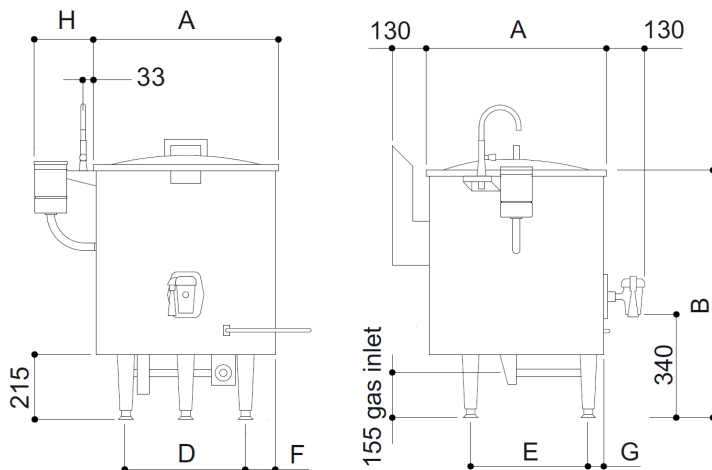
Similar Models

- G2078-45 gas boiling pan (45 litres)
- G2078-90 gas boiling pan (90 litres)
- E2078-135 electric boiling pan (135 litres)



DOMINATOR

G2078-135 Boiling Pan



Measurements *in mm*

A	Ø825
B	865
C	Ø648
D	606
E	566
F	110
G	62
H	230

C = Inside pan diameter

Specification details

Total rating (kW - net)	21	
Total rating (btu/hr - gross)	78,800	
Capacity (litres)	135	
Flow rate (natural - m ³ /hr)	2.22	
Flow rate (propane - m ³ /hr)	1.5	
Gas inlet (natural)	1/2" BSP	
Gas inlet (propane)	1/2" BSP	
Water inlet	1/2" BSP	
Inlet gas pressure (natural)	20 mbar	
Inlet gas pressure (propane)	37 mbar	
Burner pressure (natural)	12.7 mbar	
Burner pressure (propane)	35 mbar	
Weight (kg)	152	
Packed weight (kg)	157	
Packed dimensions (w x d x h - mm)	1200 x 1200 x 1300	
GTIN number	Nat Gas	Propane
	5056466905132	5056466905149

Installation notes

Adequate ventilation must be provided to supply sufficient fresh air and to allow easy removal of any such products that may present a risk to health. Please consult current legislation for details that relate to specific locations.

Install unit on a level, fireproof surface in a well-lit position. If floor is made of a combustible material, local fire requirements must be checked to ensure compliance.

A clearance of 150mm should be observed between appliance and any combustible wall.



Falcon Foodservice Equipment, Wallace View, Hillfoots Road, Stirling FK9 5PY Scotland
t: +44 (0) 1786 455 200 e: info@falconfoodservice.com www.falconfoodservice.com

G2078-135/SS/0521