



## OG8301/N - Lincat Opus 800 Natural Gas Counter-top Salamander Grill - W 800 mm - 6.0 kW

A fast-heating Opus 800 Gas Salamander Grill with powerful, highly efficient ceramic plaque burners, four shelf positions for flexibility and flame failure protection for added safety.

- ✓ Powerful, highly efficient ceramic plaque burners for reliability & rapid heat up
- ✓ Enamelled front for durability
- ✓ Maximum versatility with three independently controlled heat zones
- ✓ Flame failure protection

### Specifications

#### Summary

<b>Brand</b>	Lincat
<b>Range</b>	Opus 800
<b>Power Type</b>	Gas
<b>Gas Type</b>	Natural Gas
<b>Unit Type</b>	Counter-top
<b>Available in UK Only</b>	No
<b>UK Warranty</b>	2 Years Parts and Labour Warranty
<b>Export Warranty</b>	Contact your local dealer
<b>GTIN</b>	5056105102779

#### Power and Performance

<b>BTU per Hour</b>	20,472
<b>Total Power kW</b>	6.0
<b>Cooking Area (Width x Depth) mm</b>	530 x 265
<b>Temperature Control</b>	Mechanical

#### Key Specifications

<b>Number of Shelves included</b>	1
<b>Number of Shelf Positions</b>	4
<b>Number of Heat Zones</b>	1

#### Capacity

<b>Gastronorm Capacity</b>	1 x GN1/1
----------------------------	-----------

#### Weights and Dimensions

<b>Unit Height (External) mm</b>	450
<b>Unit Width (External) mm</b>	800
<b>Unit Depth (External) mm</b>	438
<b>Shelf Dimensions Width mm</b>	530
<b>Shelf Dimensions Depth mm</b>	265
<b>Net Weight Kg</b>	36

#### Supply Connections

<b>Requires Installation</b>	Yes
<b>Gas Connection BSP</b>	1/2"
<b>Gas Consumption at full rate Natural m<sup>3</sup> per Hour</b>	0.57
<b>Gas Pressure Natural mbar</b>	20
<b>Total heat input at full rate Natural kW</b>	6
<b>Total heat input at full rate Natural BTU per hour</b>	20,472

#### Shipping

<b>Packed Weight Kg</b>	39.6
<b>Packed Height cm</b>	78
<b>Packed Width cm</b>	85
<b>Packed Depth cm</b>	45

### Available Accessories

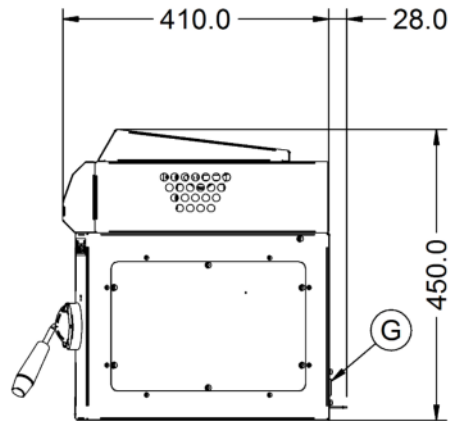
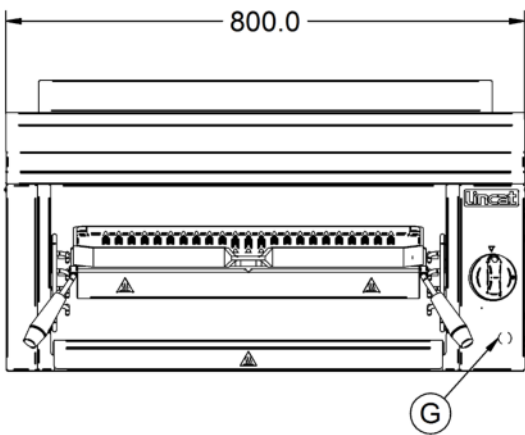
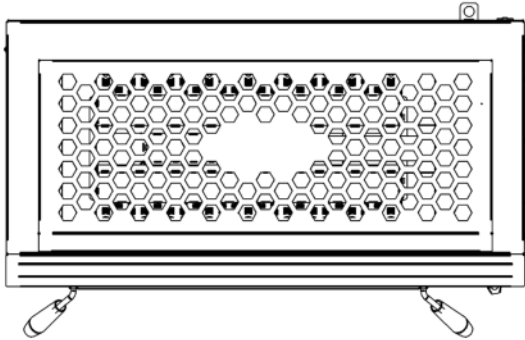
<b>CH01</b>	Caterflex Hose 1/2" - 1 Metre - for use with units up to 66,000 BTU
<b>CH02</b>	Caterflex Hose 1/2" - 1.5 Metre - for use with units up to 56,000 BTU
<b>OA8907</b>	Lincat Opus 800 Free-standing Floor Stand with Legs - for units W 800 mm
<b>OA8908</b>	Lincat Opus 800 Free-standing Bench Stand - for units W 800 mm
<b>OA8909</b>	WALL BRACKET OG8301/OE8304

Available Accessories

OA8976

BRANDING PLATE ACCESSORY FOR OG8301

Technical Picture





**Lincat Limited**

Whisby Road,  
Lincoln, LN6 3QZ,  
United Kingdom

**Company No:** 2175448

A member company of



**Customer Care**

**Tel:** +44 1522 875500  
**Email:** care@lincat.co.uk

**Export Customers**

**Tel:** +44 1522 875536  
**Email:** export@lincat.co.uk

**Opening Hours**

**Monday – Friday:**  
8.30am – 5pm