

C Range pass through DISHWASHER

C2011D



Maidaid C2011D Features

- **2 year warranty**
- Four button bright LED display with soft touch controls, twin traffic lights giving instant status updates & operational self-diagnostics



- Alarms menu with hi-level information retrieval
- Quick release parallel wash & rinse arm design
- Easy lift soft glide hood system
- Breaktank as standard
- Three standard cycle time options with further options available
- Cycle times can be tailored to site requirements
- Automatic self cleaning at end of service
- Selectable energy saving mode
- Selectable thermostop ensures optimum rinse temperatures
- Patented dual flow wash pump - reducing power whilst retaining wash efficiency
- Moulded wash tank for easy cleaning
- Surface scrap tray filters supplied as standard
- Drain pump as standard
- Accurate detergent & rinse aid peristaltic dosing pumps as standard

Gravity drain version
available: **C2011**



C2011D
(shown with tabling –
not included)

Supplied with one pegged (capable of holding 18 10" plates), one open rack (capable of holding 25 pint glasses) and cutlery insert.

Additional racks can be purchased at point of order:
Z972001 & Z972003



For additional information contact our Sales Team on

T: **0345 130 8070** E: **sales@maidaid-halcyon.co.uk** or visit **www.maidaid.co.uk**

C Range

pass through

DISHWASHER

C2011D



C2011D
(shown with tabling – not included)

Technical Data

Dimensions (W x D x H)	mm	640 x 745 x 1335 + Feet
Feet height	mm	165-225
Rack size	mm	500 x 500
Maximum useable height	mm	435
Door opening	mm	460
Theoretical productivity	Racks/h	51
Effective productivity	Racks/h	36*

*Allowing 30 seconds for reloading
Cycle times may vary depending on local conditions/services

Wash tank element	kW	2.1
Boiler element	kW	6.0
Wash pump	kW	0.47
Tank capacity	L	15
Noise emission	dB	≤ 65

Packaging Specs

Gross weight	Kg	96
Cubic volume	m ³	0.98
Dim. (W x D x H)	mm	840 x 760 x 1520

Power Supply

Installed power	AMP	kW
	20	4.5
230V – 50Hz – 1N	30*	6.5
	Optional 3 Phase config Total load 6.5kW	
Fused	16 amp	

*Standard configuration

Water Connection

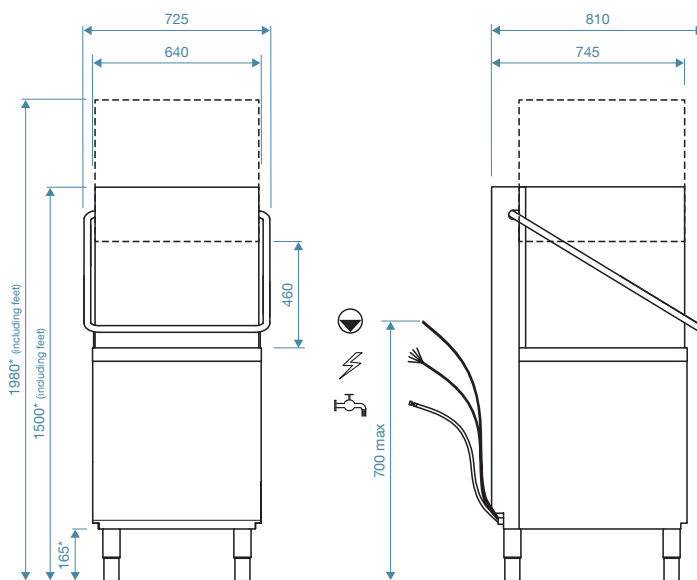
Inlet water pressure	Bar	2 to 4
Flow rate L/Min	L/Min	6
Water inlet temp	°C	10 to 50
Water connection	BSP	¾"
Waste connection	Ø	Int 19/ext 24

Cycle Information

Number of standard cycles	3	
Standard cycles times	Sec	70/90/120
Special cycle	Eco, Glass, Long	
Self-cleaning cycle	Yes	
Water consumption per cycle	L	2
Wash temperature	°C	60 – adjustable
Rinse temperature	°C	82 – adjustable

Installation Diagram –

All services must be within 1 meter



*Height-adjustable feet + 60mm

- Pumped waste into upstand, maximum height 700mm
- Power
- Water supply 2 – 4 bar

For additional information contact our Sales Team on
T: 0345 130 8070 E: sales@maidaid-halcyon.co.uk or visit **www.maidaid.co.uk**

Maidaid reserve the right to alter specifications & dimensions without prior notification, all dimensions will be +/- 3mm.