



**Model**

NSV350HD

**Product Description**

Slicer, 14", Vertical, Heavy Duty

**Product Code**

5S521N



**Standard Features**

- Designed for handling larger volumes than the medium duty range. Recommended for delis, restaurants, supermarkets and canteens
- Large double sliding tables with lockable, clamp grips to secure product to the slicing table to aid precision slicing
- Ideal slicers for heavy cured meats including bacon, Parma ham, Serrano ham, Bresaola and salami
- Hollow ground chromed carbon steel blade
- Powerful twin poly 'V' belt driven transmission gives a smooth cutting action and silent running
- Easy belt adjustment
- Easy set thickness control allows for precision slicing
- Carriage slides on ball bearings for smooth carriage glide
- Made from high polished, anodised food grade aluminium for durability and hygiene
- Large base to ensure slicer has a large capacity to cope with large products
- Ergonomic design with smooth rounded edges to allow for fast and easy cleaning and improved levels of hygiene
- Fully interlocked and safe guarded for full compliance of CE legislation. This ensures all-round blade protection for ultimate user safety during cleaning
- Built-in self-aligning sharpening and de-burring unit
- Table/carriage, blade cover, blade and sharpening unit are detachable for easy, safe cleaning
- Optional voltages and frequencies available on request
- CE Approved

**Standard Accessories**

- 1 x Knife Remover
- 1 x Tasteless Oil
- 1 x Flat Head Screwdriver

**Warranty**

Covered by Metcalfe 2-year warranty (1<sup>st</sup> year parts and labour, 2<sup>nd</sup> year parts only) and full after sales service

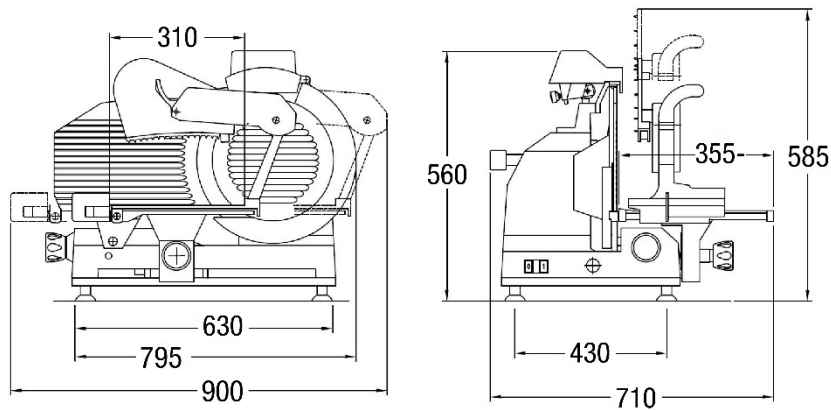
**Optional Accessories**

Item
Teflon Coated Parts (Blade Cover, Gauge Plate, Blade)
Plastic Cover – Medium
Painting Customisation

Item
Special Stainless - Steel Handgrip
Aluminium Knobs
Serrated Blade

Item
Stainless Steel Knife Remover
Special Arm (Protected)

## Drawing



## Specifications

Model	Blade (mm) / (Inch)	Phase (Ø)	Motor (Volt)	Frequency (Hz)	Current (Amp)	Power (kW)
NSV350HD	350 / 14	1	220	50	1.68	0.370

## Capacity

Model	Cutting Capacity (mm)		Carriage Movement (mm)	Max Slice Thickness (mm)
NSV350HD	● 265	□ 265 x 310	365	16

## Dimensions | Shipping Information

Model	Overall Dimensions D x W x H (mm)	Net Weight (kg)	Packed Dimensions D x W x H (mm)	Packed Weight (kg)	Volume (m3)
NSV350HD	710 x 900 x 585	47	720 x 840 x 760	54	0.46

We reserve the right to alter the specification and technical details for this item at any time without prior notice. 10/2020

**Metcalfe Catering Equipment Ltd**

Haygarth Park  
Blaenau Ffestiniog  
Gwynedd, LL41 3PF

