



Model

NSV300HD

Product Description

Slicer, 12", Vertical, Heavy Duty

Product Code

5S520N



Standard Features

- Designed for handling larger volumes than the medium duty range. Recommended for delis, restaurants, supermarkets and canteens.
- Large double sliding tables with lockable, clamp grips to secure product to the slicing table to aid precision slicing
- Ideal slicers for heavy cured meats including bacon, Parma ham, Serrano ham, Bresaola and salami
- Hollow ground chromed carbon steel blade
- Powerful twin poly 'V' belt driven transmission gives a smooth cutting action and silent running
- Easy belt adjustment
- Easy set thickness control allows for precision slicing
- Carriage slides on ball bearings for smooth carriage glide
- Made from high polished, anodised food grade aluminium for durability and hygiene
- Large base to ensure slicer has a large capacity to cope with large products
- Ergonomic design with smooth rounded edges to allow for fast and easy cleaning and improved levels of hygiene
- Fully interlocked and safe guarded for full compliance of CE legislation. This ensures all-round blade protection for ultimate user safety during cleaning
- Built-in self-aligning sharpening and de-burring unit
- Table/carriage, blade cover, blade and sharpening unit are detachable for easy, safe cleaning
- Optional voltages and frequencies available on request
- CE Approved

Standard Accessories

- 1 x Knife Remover
- 1 x Flat Head Screwdriver
- 1 x Tasteless Oil

Warranty

Covered by Metcalfe 2-year warranty (1st year parts and labour, 2nd year parts only) and full after sales service

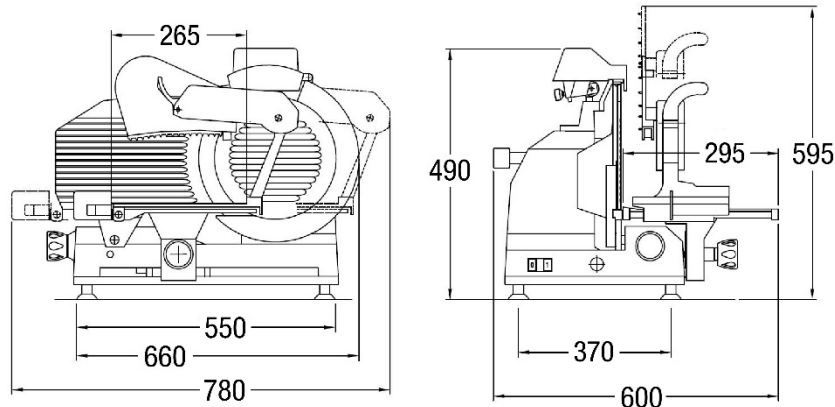
Optional Accessories

Item
Teflon Coated Parts (Blade Cover, Gauge Plate, Blade)
Serrated Blade
Painting Customisation

Item
Special Stainless-Steel Handgrip
Aluminium Knobs
Plastic Cover – Small

Item
Stainless Steel Knife Remover
Special Arm (Protected)

Drawing



Specifications

Model	Blade (mm) / (Inch)	Phase (Ø)	Motor (Volt)	Frequency (Hz)	Current (Amp)	Power (kW)
NSV300HD	300 / 12	1	220	50	1.1	0.242

Capacity

Model	Cutting Capacity (mm)		Carriage Movement (mm)	Max Slice Thickness (mm)
NSV300HD	● 215	□ 215 x 280	300	12

Dimensions | Shipping Information

Model	Overall Dimensions D x W x H (mm)	Net Weight (kg)	Packed Dimensions D x W x H (mm)	Packed Weight (kg)	Volume (m3)
NSV300HD	600 x 780 x 595	32	600 x 710 x 520	37.5	0.222

We reserve the right to alter the specification and technical details for this item at any time without prior notice. 10/2020

Metcalfe Catering Equipment Ltd

Haygarth Park
Blaenau Ffestiniog
Gwynedd, LL41 3PF

