



C6R/105SR - Seal 650
 Series Counter-top
 Curved Front
 Refrigerated
 Merchandiser - Self-
 Service - Side-Mounted
 Power Pack [Right] - W
 1050 mm - 0.6 kW

Enhance your food sales by showcasing sandwiches, baguettes, yoghurts, fruit and drinks in the Seal 650 Range Curved Front Refrigerated Merchandiser.

- ✓ Using precise thermostatic control this unit holds food from 3°C - 7°C. It enables the user to accurately monitor the temperature of product for the absolute best results
- ✓ Provides daylight balanced illumination, which lights up the units interior and spotlights each product
- ✓ Digital display which gives clear indication of temperature to the user
- ✓ Options for self service or back service are also available.
- ✓ The unit is double glazed which keeps the cool air locked in, this in turn gives the customer better results while also saving money through energy efficiency.
- ✓ Spacious unit enabling you to showcase a wide variety of product

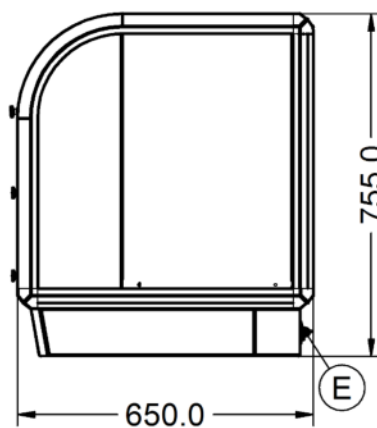
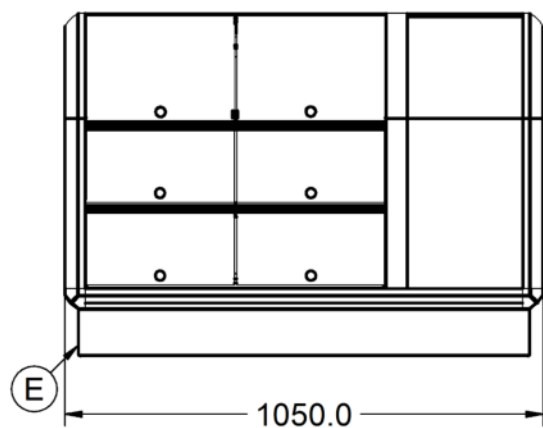
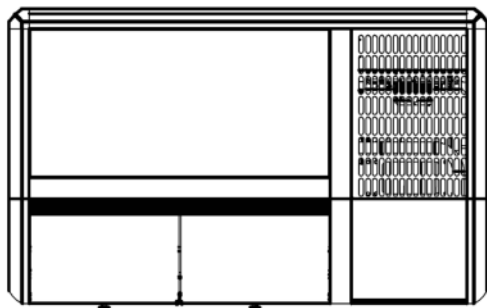
Specifications

Summary		Power and Performance	
Range Name	Seal	Total Power kW	0.6
Power Type	Electric	Temperature Range °C	3 - 7
Unit Type	Counter-top	IP Rating	IP33
Available in UK Only	No	Temperature Control	Electronic
UK Warranty	2 Years Parts and Labour Warranty		
Export Warranty	Contact your local dealer		
GTIN Code	5056105103929		

Key Specifications		Weights and Dimensions	
Number of Shelves included	2	Unit Height (External) mm	755
Number of Shelf Positions	2	Unit Width (External) mm	1050
Refrigerant Type	R452a	Unit Depth (External) mm	650
Service Type	Self service	Height (Internal) mm	560
Type of Lighting	Fluorescent	Width (Internal) mm	685
		Depth (Internal) mm	570
		Shelf Dimensions Width mm	650
		Shelf Dimensions Depth mm	525
		Net Weight Kg	93.9

Supply Connections		Shipping	
Requires Installation	No	Packed Weight Kg	106.9
Requires Electrical Supply	Yes	Packed Height cm	90
UK 3 Pin Plug	Yes	Packed Width cm	115
Requires Hardwiring	No	Packed Depth cm	75
Electrical Supply Rating Watts	604		
Single Phase Amps	2.6		
Single Phase Voltage	230		

Technical Picture



Lincat Limited

Whisby Road,
Lincoln, LN6 3QZ,
United Kingdom

Company No: 2175448

A member company of



Customer Care

Tel: +44 1522 875500
Email: care@lincat.co.uk

Export Customers

Tel: +44 1522 503250
Email: export@lincat.co.uk

Opening Hours

Monday – Friday:
8.30am – 5pm