

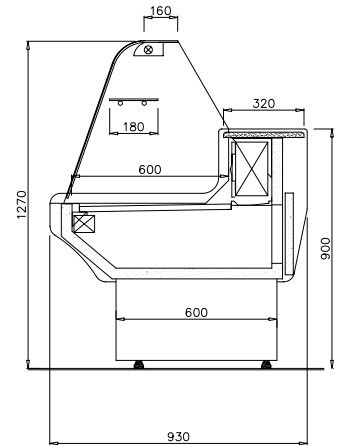
SHADOW Serve Over Counters

930mm Depth

SHAD200



GRANITE
BACKSHELF



IMPORTANT NOTE

Refrigerated serve over displays are designed to keep food products at refrigerated temperatures whilst displaying them for sale. Some counters have built in under-storage, The concept of a display counter is to display products ready for sale, the under-storage is intended to store additional products moved from a refrigerator to enable the operator to restock the display deck when products have been sold.

Many display counters are open displays and are not intended to be used as a long term storage cabinet. Serve over display need to be switching off for cleaning and regular maintenance and often require a manual defrost as in the UK many operate in high humidity conditions which can cause icing up issues.

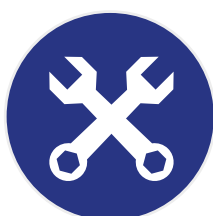
FEATURES

- Granite backshelf
- Curved glass
- Illuminated canopy
- Stainless steel deck (600mm deep)
- Intermediate shelf for ambient display
- Refrigerated under storage
- Replaceable door gaskets

TECHNICAL SPECIFICATIONS

- Controller: Digital controller with temperature display
- Cooling: Static
- Defrost: Automatic
- Refrigerant: R290
- Climate Class: 3
- Temperature Range: +2°C ~ +5°C
- Power Supply: 13amp

MODEL	FINISH	DOOR (270x 400mm)	GROSS CAPACITY	EXT. DIMENSIONS (H x W x D mm)	POWER CONSUMPTION	WEIGHT (kg)	RRP
SHAD100	Light grey laminated exterior	1	110L	1270 x 1000 x 930	441W	148	
SHAD150		1	170L	1270 x 1500 x 930	441W	185	
SHAD200		2	230L	1270 x 2000 x 930	596W	215	
SHAD250		2	290L	1270 x 2500 x 930	817W	278	
SHAD300		3	355L	1270 x 3000 x 930	1054W	327	



Glass structure requires assembly on site.

