



C6R/130BL - Seal 650  
 Series Counter-top  
 Curved Front  
 Refrigerated  
 Merchandiser - Back-  
 Service - Side-Mounted  
 Power Pack [Left] - W  
 1300 mm - 0.7 kW

Enhance your food sales by showcasing sandwiches, baguettes, yoghurts, fruit and drinks in the Seal 650 Range Curved Front Refrigerated Merchandiser.

- ✓ Using precise thermostatic control this unit holds food from 3°C - 7°C. It enables the user to accurately monitor the temperature of product for the absolute best results
- ✓ Provides daylight balanced illumination, which lights up the units interior and spotlights each product
- ✓ Digital display which gives clear indication of temperature to the user
- ✓ Options for self service or back service are also available.
- ✓ The unit is double glazed which keeps the cool air locked in, this in turn gives the customer better results while also saving money through energy efficiency.
- ✓ Spacious unit enabling you to showcase a wide variety of product

## Specifications

### Summary

<b>Range Name</b>	Seal
<b>Power Type</b>	Electric
<b>Unit Type</b>	Counter-top
<b>Available in UK Only</b>	No
<b>UK Warranty</b>	2 Years Parts and Labour Warranty
<b>Export Warranty</b>	Contact your local dealer
<b>GTIN Code</b>	5056105103950

### Power and Performance

<b>Total Power kW</b>	0.7
<b>Temperature Range °C</b>	3 - 7
<b>IP Rating</b>	IP33
<b>Temperature Control</b>	Electronic

### Key Specifications

<b>Number of Shelves included</b>	2
<b>Number of Shelf Positions</b>	2
<b>Refrigerant Type</b>	R452a
<b>Service Type</b>	Back service
<b>Type of Lighting</b>	Fluorescent

### Weights and Dimensions

<b>Unit Height (External) mm</b>	755
<b>Unit Width (External) mm</b>	1300
<b>Unit Depth (External) mm</b>	650
<b>Height (Internal) mm</b>	560
<b>Width (Internal) mm</b>	960
<b>Depth (Internal) mm</b>	570
<b>Shelf Dimensions Width mm</b>	900
<b>Shelf Dimensions Depth mm</b>	525
<b>Net Weight Kg</b>	120.5

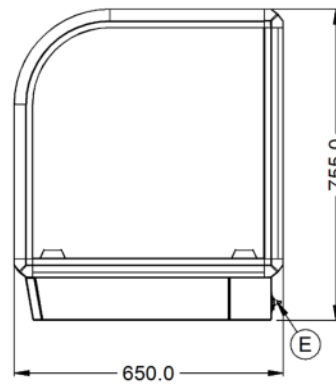
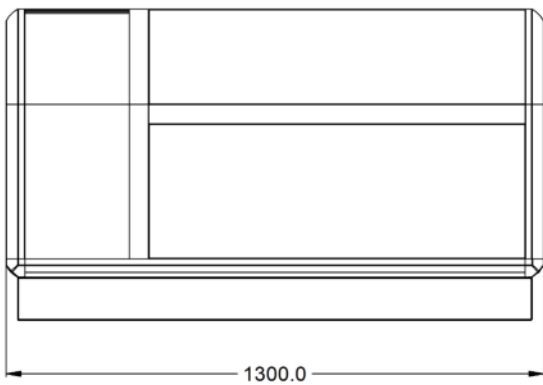
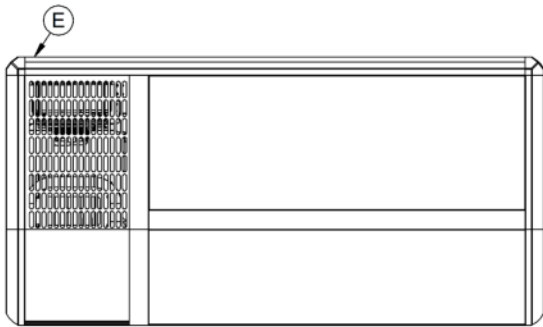
### Supply Connections

<b>Requires Installation</b>	No
<b>Requires Electrical Supply</b>	Yes
<b>UK 3 Pin Plug</b>	Yes
<b>Requires Hardwiring</b>	No
<b>Electrical Supply Rating Watts</b>	717
<b>Single Phase Amps</b>	3.1
<b>Single Phase Voltage</b>	230

### Shipping

<b>Packed Weight Kg</b>	131.5
<b>Packed Height cm</b>	90
<b>Packed Width cm</b>	140
<b>Packed Depth cm</b>	75

Technical Picture



**Lincat Limited**

Whisby Road,  
Lincoln, LN6 3QZ,  
United Kingdom

**Company No:** 2175448

A member company of



**Customer Care**

**Tel:** +44 1522 875500  
**Email:** care@lincat.co.uk

**Export Customers**

**Tel:** +44 1522 503250  
**Email:** export@lincat.co.uk

**Opening Hours**

**Monday – Friday:**  
8.30am – 5pm