



HAND MIXER & BLENDER COMBO MB-51

Professional hand blender and beater. 570 W.



DYNAMIC PREPARATION
COMMERCIAL HAND BLENDERS



- to indicate the status of the machine.
- ✓ Possibility of continuous operation.

Built to last

- ✓ Professional performance: capable of carrying out prolonged work without the casing overheating.
- ✓ Life-plus: equipped with a motor which has passed all of the most demanding usage tests.
- ✓ Studied geometry: casing designed to avoid rolling and falling.
- ✓ Easy to clean: detachable arms, can be cleaned under the tap.
- ✓ Approved by NSF: guaranteed safety and hygiene.

INCLUDES

- ✓ Variable speed motor block.
- ✓ MA-51 mixer arm.
- ✓ Whisk BA-50.
- ✓ Wall mount.

ACCESSORIES

- Clamp sliding frame
- Bowl clamp
- Mixer arms MA-50
- Whisk BA-50
- "Quick fix" Bowl clamp for XM

SPECIFICATIONS

Total loading: 570 W

Plug: --

Liquidiser function

Maximum recipient capacity: 80 l

Maximum working depth: 284.5 mm

✓ : 1500 - 12000 rpm

Blade diameter: 60 mm

Blade guard diameter: 101 mm

Liquidising arm length: 425 mm

Total length: 765 mm

Whisk function

✓ : 200 - 1500 rpm

Capacity (egg whites): 2 - 80

Revolving arm length: 405 mm

Total length (with revolving arm): 746 mm

Net weight: 4.65 Kg

Noise level (1m.): <80 dB(A)

Crated dimensions

575 x 455 x 130 mm

Gross weight: 6.3 Kg

AVAILABLE MODELS

3030691 Immersion blender & whisk combo MB-51 230/50-60/1

* Ask for special versions availability

SALES DESCRIPTION

- ✓ Variable speed motor block.
- ✓ 425 mm detachable mixer arm designed for continuous use in recipients of up to 80 l.
- ✓ Whisk with capacity for 2 to 80 egg whites.

All-in-one

- ✓ Professional hand blender and beater.
- ✓ Professional hand blender designed for carrying out different preparations without the need for add-on tools.
- ✓ Professional Y-blade, made from tempered steel and with a long-duration cutting edge.
- ✓ Vario-speed: variable speed.
- ✓ Mixer arm designed to work in recipients of up to 80 litres.
- ✓ Beater with capacity for 2 to 100 egg whites.

Maximum comfort for the user

- ✓ Logical and manageable size.
- ✓ Ergo-design & bi-mat-grip: external casing made in two materials for an ergonomic hold. Anti-slip grip. Optimum inclination of handle, minimising fatigue.
- ✓ Click-on-arm: detachable arm with fast and secure closure.
- ✓ Mixer arm hood designed to avoid splashes.
- ✓ Intuitive use: very simple operation. LED warning light in two colours



www.sammic.co.uk

Food Service Equipment Manufacturer

Unit 2, Trevanth Road

Troon Industrial Park

LE4 9LS - Leicester

uksales@sammic.com

Tel.: +44 0116 246 1900



Project

Date

Item

Qty

Approved

product sheet
updated 26/01/2022

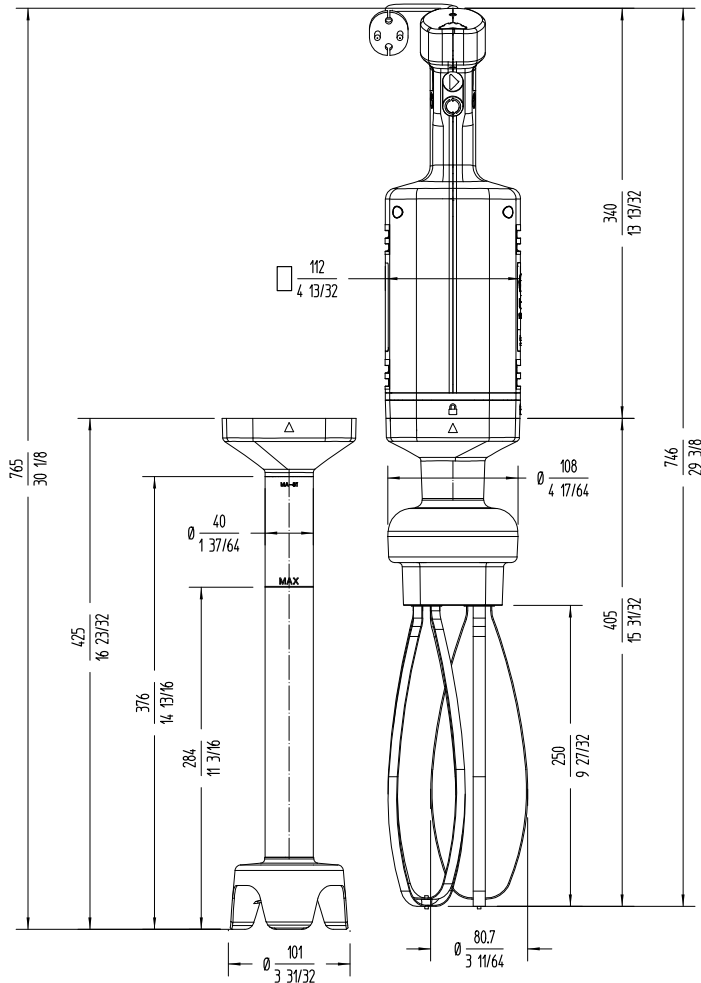


HAND MIXER & BLENDER COMBO MB-51

Professional hand blender and beater. 570 W.



DYNAMIC PREPARATION
COMMERCIAL HAND BLENDERS



www.sammic.co.uk

Food Service Equipment Manufacturer

Unit 2, Trevanth Road

Troon Industrial Park

LE4 9LS - Leicester

uksales@sammic.com

Tel.: +44 0116 246 1900



Project

Date

Item

Qty

Approved

product sheet
updated 26/01/2022